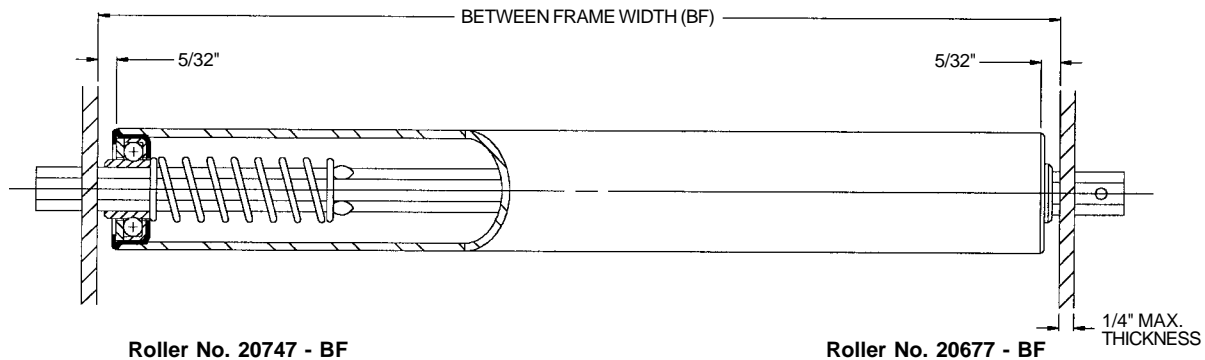


## Roller 1 in. O.D. x 16 ga. - 5/16 in. Hex Axle



Roller No. 20747 - BF

Roller No. 20677 - BF

1/4" MAX. THICKNESS

### Description:

**Tube:** 1 in. O.D. x 16 ga. (.065 in.)

**Axle:** 5/16 in. Hex

**Spring No.:** 11372

**Pin No.:** 101136

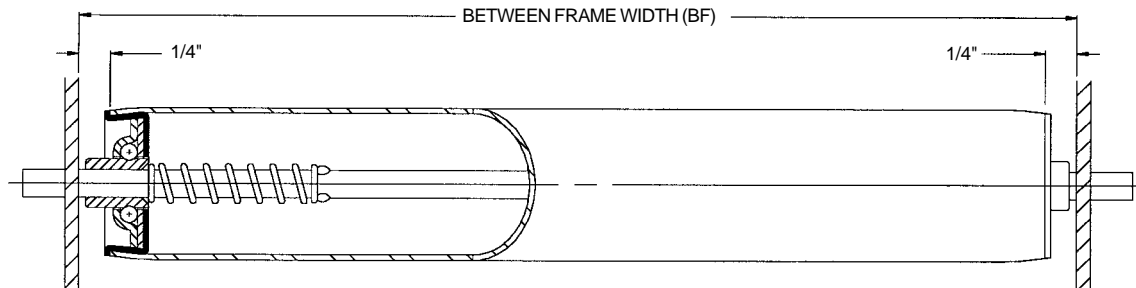
**Weight (lbs.):**  $0.18 + 0.08 \times \text{BF}$

Roller No.	Bearing No.	Retained	BF
20747 - BF	102152 - Plain	Spring	6 - 39
20677 - BF	102152 - Plain	Pin	3 - 39

ROLLER CAPACITY CHART (LBS.)			
BF*	Bearing No. 102152	BF*	Bearing No. 102152
7	60	25	60
9	60	27	60
11	60	29	60
13	60	31	60
15	60	33	60
17	60	35	60
19	60	37	60
21	60	39	60
23	60		60

\* Other Between Frame Widths available. See chart at left.

## Roller 1 3/8 in. O.D. x 18 ga. - 1/4 in. Round Axle



### Description:

**Tube:** 1 3/8 in. O.D. x 18 ga. (.049 in.)

**Axle:** 1/4 in. Round

**Bearing No.:** 111856 - Plain

**Spring No.:** 25279

**Weight (lbs.):**  $0.13 + 0.07 \times \text{BF}$

**Roller No.:** 25904 - BF (Galvanized)

**Roller No.:** 25898 - BF (Aluminum)

**BF Range:** 7 - 28

ROLLER CAPACITY CHART (LBS.)			
BF*	Bearing No. 102151	BF*	Bearing No. 102151
7	120	18	52
8	120	19	49
9	110	20	47
10	98	21	44
11	88	22	42
12	80	23	40
13	74	24	39
14	68	25	37
15	63	26	35
16	59	27	34
17	55	28	33

\* Between Frame Widths available from 6 in. to 28 in.