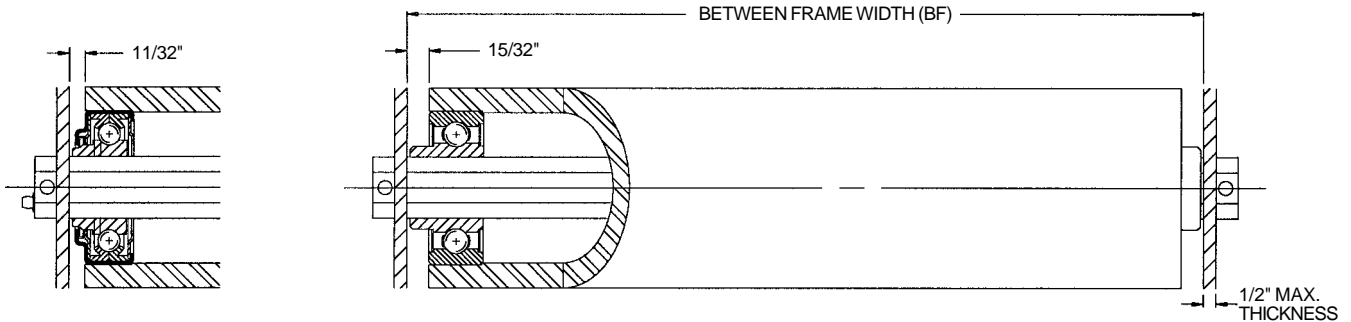


## Roller 4 in. O.D. x 1/2 in. Wall - 1 1/16 in. Hex Axle



**Roller No. 28551 - BF**  
Regreasable

**Roller No. 28552 - BF**

**Description:**

**Tube:** 4 in. O.D. x 1/2 in. Wall (.500 in.)

**Axle:** 1 1/16 in. Hex

**Pin No.:** 101009

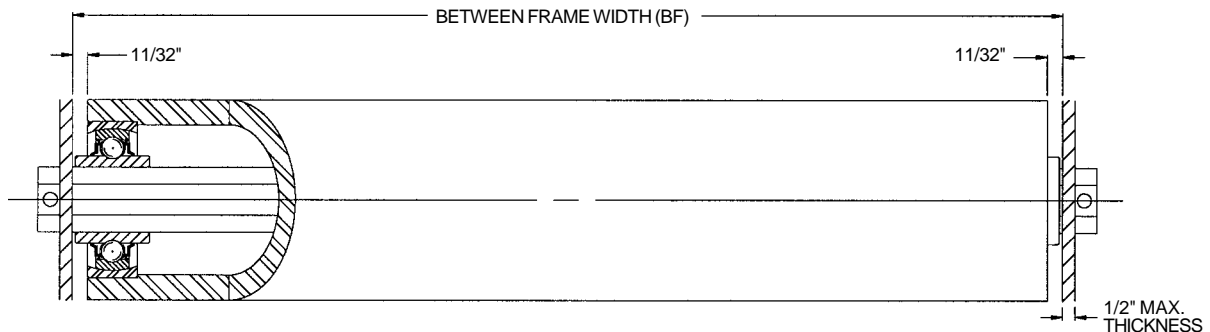
**Weight (lbs.):** 2.66 + 1.80 x BF

Roller No.	Bearing No.	Retained	BF
28552 - BF	102101 - Seal	Pin	4 - 120
28551 - BF	102086 - Seal/Shield	Pin	4 - 120

ROLLER CAPACITY CHART (LBS.)					
BF*	Bearing No.		BF*	Bearing No.	
	102101	102086		102101	102086
7	4130	1040	67	1841	1040
12	4130	1040	72	1709	1040
17	4130	1040	77	1596	1040
22	4130	1040	82	1496	1040
27	4130	1040	87	1408	1040
32	3989	1040	92	1330	1040
37	3419	1040	97	1260	1040
42	2992	1040	102	1197	1040
47	2659	1040	107	1140	1040
52	2393	1040	112	1088	1040
57	2176	1040	117	1041	1040
62	1994	1040	120	1014	1040

\* Between Frame Widths available from 4 in. to 120 in.

## Roller 4 in. O.D. x 1/2 in. Wall - 1 1/8 in. Hex Axle



**Description:**

**Tube:** 4 in. O.D. x 1/2 in. Wall (.500 in.)

**Axle:** 1 1/8 in. Hex

**Bearing Assembly No.:** 27949 - Seal/Shield

**Bearing No.:** 102220

**Sleeve No.:** 24863

**Pin No.:** 101009

**Weight (lbs.):** 2.12 + 1.83 x BF

**Roller No.:** 28553 - BF

**BF Range:** 4 - 120

ROLLER CAPACITY CHART (LBS.)			
BF*	Bearing No. 27949	BF*	Bearing No. 27949
7	6172	67	3032
12	6172	72	2817
17	6172	77	2630
22	6172	82	2466
27	6172	87	2322
32	6172	92	2194
37	5602	97	2079
42	4909	102	1975
47	4368	107	1881
52	3935	112	1796
57	3455	117	1718
62	3283	120	1675

\* Between Frame Widths available from 4 in. to 120 in.