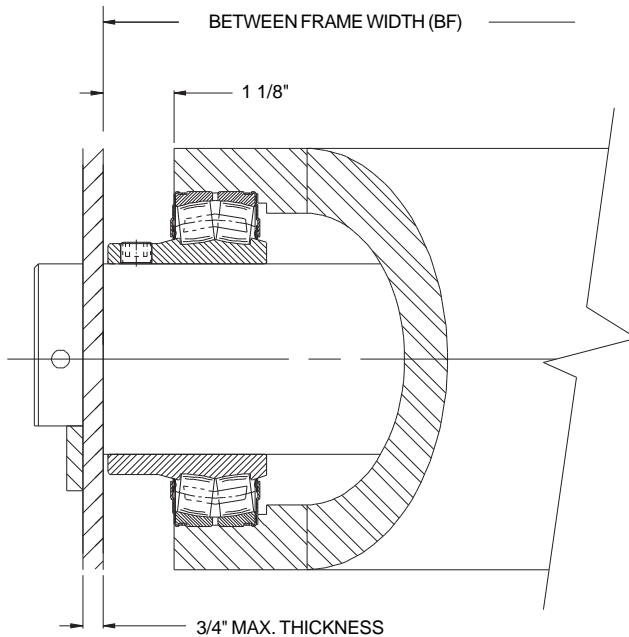


Roller 6 1/2 in. O.D. x 1 in. Wall - 2 15/16 in. Round Axle



Description:

Tube: 6 1/2 in. O.D. x 1 in. Wall

Axle: 2 15/16 in. Round - Notched for Keeper Bar

Bearing No.: 102203 - Seal/Shield

Pin No.: 101145

Weight (lbs.): 0.97 + 6.80 x BF

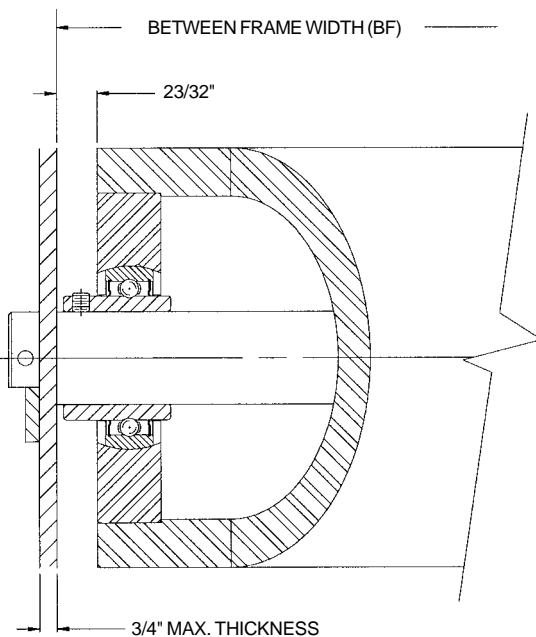
Roller No.: 28565 - BF

BF Range: 7 - 130

ROLLER CAPACITY CHART (LBS.)					
BF*	Bearing No. 102203	BF*	Bearing No. 102203	BF*	Bearing No. 102203
7	56713	47	38129	87	19863
12	56713	52	34198	92	18741
17	56713	57	31002	97	17738
22	56713	62	28352	102	16838
27	56713	67	26119	107	16024
32	56713	72	24213	112	15286
37	49512	77	22565	117	14613
42	43081	82	21128	120	14236

* Between Frame Widths available from 7 in. to 130 in.

Roller 7 5/8 in. O.D. x 7/8 in. Wall - 1 11/16 in. Round Axle



Description:

Tube: 7 5/8 in. O.D. x 7/8 in. Wall (.875 in.)

Axle: 1 11/16 in. Round - Notched for Keeper Bar

Bearing Assembly No.: 27964 - Seal/Shield

Bearing No.: 102165

Sleeve No.: 27970

Pin No.: 101009

Weight (lbs.): 16.50 + 5.88 x BF

Roller No.: 28567 - BF

BF Range: 7 - 130

ROLLER CAPACITY CHART (LBS.)					
BF*	Bearing No. 27964	BF*	Bearing No. 27964	BF*	Bearing No. 27964
7	7836	47	7836	87	7683
12	7836	52	7836	92	7254
17	7836	57	7836	97	6869
22	7836	62	7836	102	6524
27	7836	67	7836	107	6212
32	7836	72	7836	112	5928
37	7836	77	7836	117	5669
42	7836	82	7836	120	5524

* Between Frame Widths available from 7 in. to 130 in.